

Faucet Capri Copper

Faucets

Code: 8467 805

Single lever mixer tap with rotating barrel and extractable shower head



DETAILS

Coloring Copper

Texture Polished

Finish PVD

Material Brass

Cartridge With ceramic discs

Rotating angle 180°

Mixer hole $\varnothing 1 \frac{3}{8}$ "

Max worktop thickness $1 \frac{49}{64}$ "

Mixer type Single lever faucet with rotating barrel and extractable double jet shower

Notes: Strengthening plate included

FEATURES

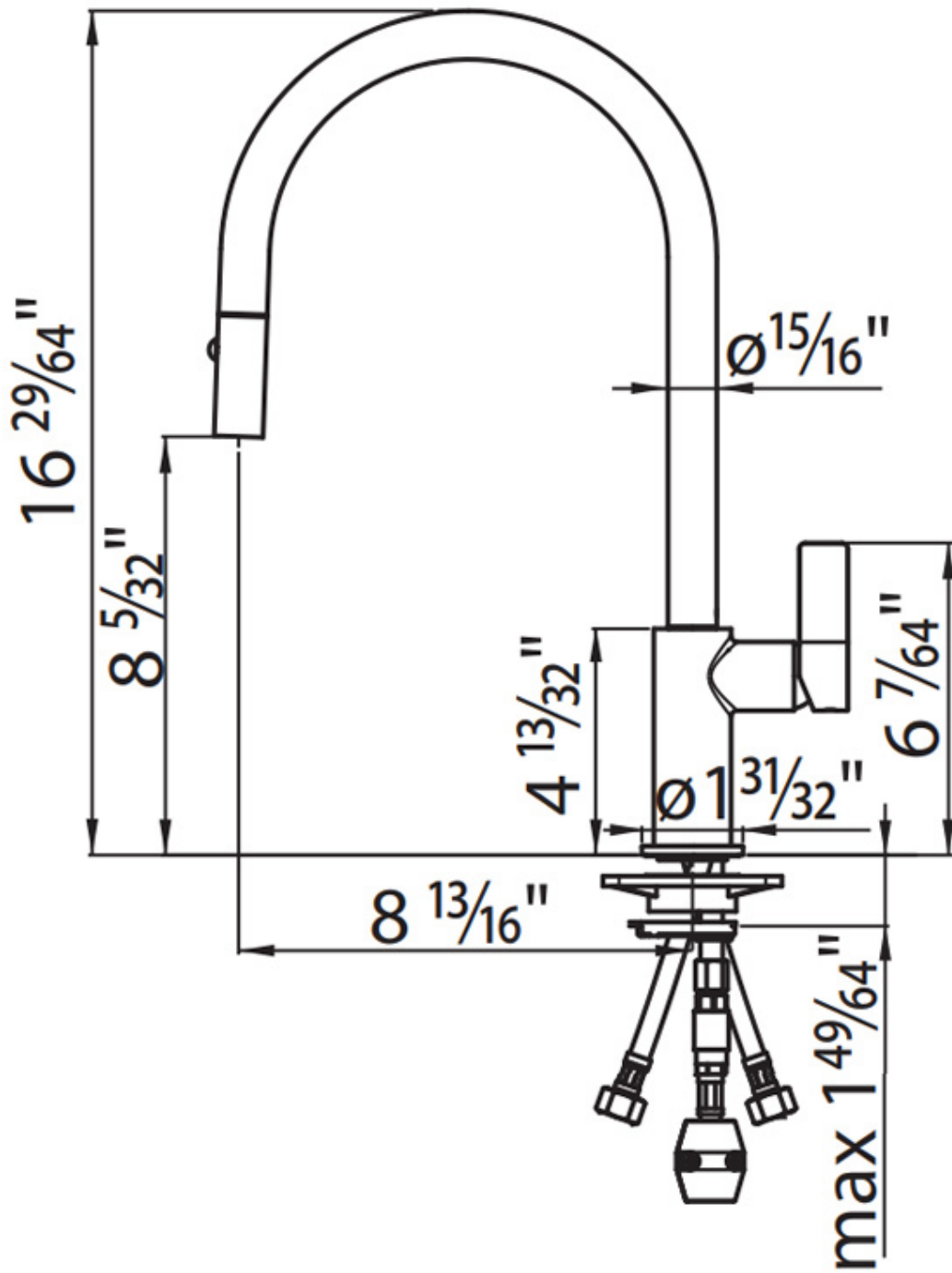
COPPER The Copper finish is obtained by treating steel with a physical process called PVD (Physical Vacuum Deposition) which deposits particles of noble metals on the surface. The result is a unique and refined aesthetic effect, and an improvement of the mechanical properties of the steel which is more resistant to impact and scratches.

Rotating angle All the taps have a wide angle of rotation. Some models even permit a full 360° rotation.

Strengthening plate Foster's mixer taps are equipped with the strengthening plate that offers perfect stability on any sink.

Double jet (flow and rain) Several models are equipped with a switch to easily change the flow from continuous to shower.

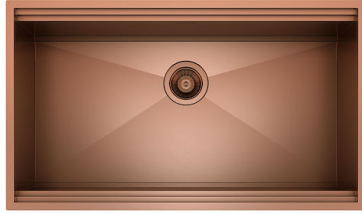
TECHNICAL DATA



RECOMMENDED PAIRINGS



Milano Cooktop Copper 5 burners
7638 908



**Sink Leonardo Copper 33" x 20" -
U/M**
1014 668